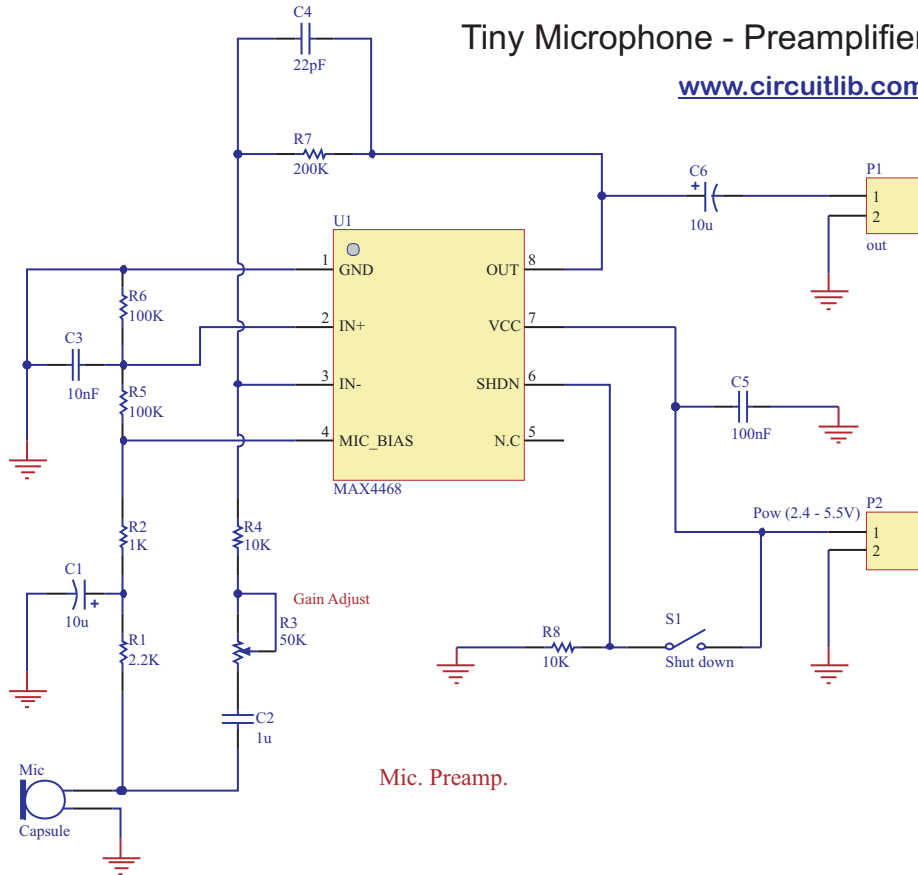


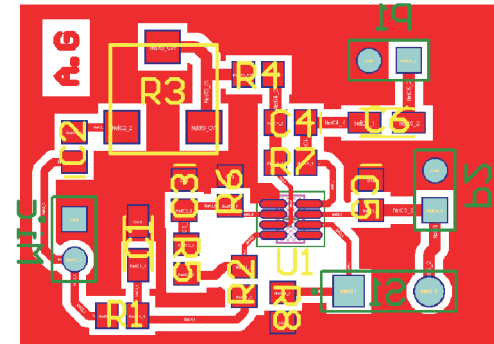
## Tiny Microphone - Preamplifier

[www.circuitlib.com](http://www.circuitlib.com)

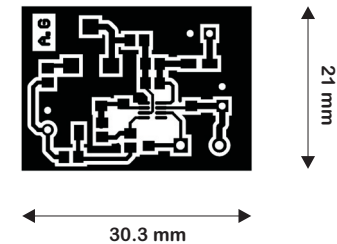


Mic. Preamp.

## Components Placement



## PCB Artwork / Actual size



Component	Comment	Description	Footprint
C1, C6	T491A	Solid Tantalum Chip Capacitor, Standard T491 Series - Industrial Grade	A
C2, C3, C4, C5	C0805	Ceramic Chip Capacitor - Standard	0805
Mic	Capsule	Electret Capsule Microphone	PIN2
P1	out	Header, 2-Pin	HDR1X2
P2	Power Supply	Header, 2-Pin	HDR1X2
R1, R2, R4, R5, R6, R7, R8	0805 RES	Thick Film Chip Resistor, 1 Ohm to 10M Ohm Range, 5% Tolerance, 0805 Size, 0.125 W	6-0805
R3	RPot	Square Trimming Potentiometer	TrPOT-Bourns 1/4"
S1	Switch	Single-Pole, Single-Throw Switch	SPST-2
U1	MAX4468	Mic preamp IC	TSOP65P280X145-8N / SO