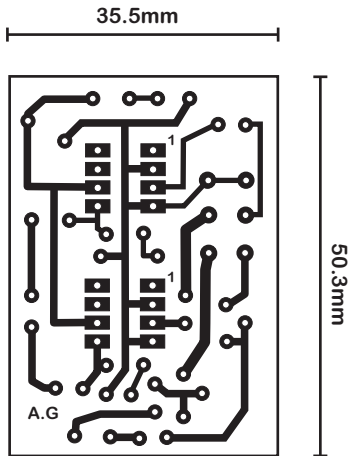


# Stereo Headphone Amplifier

PCB layout in 1:1 scale (Bottom side)



Components Placement (Top Side)

