

1

2

3

4

A

A

B

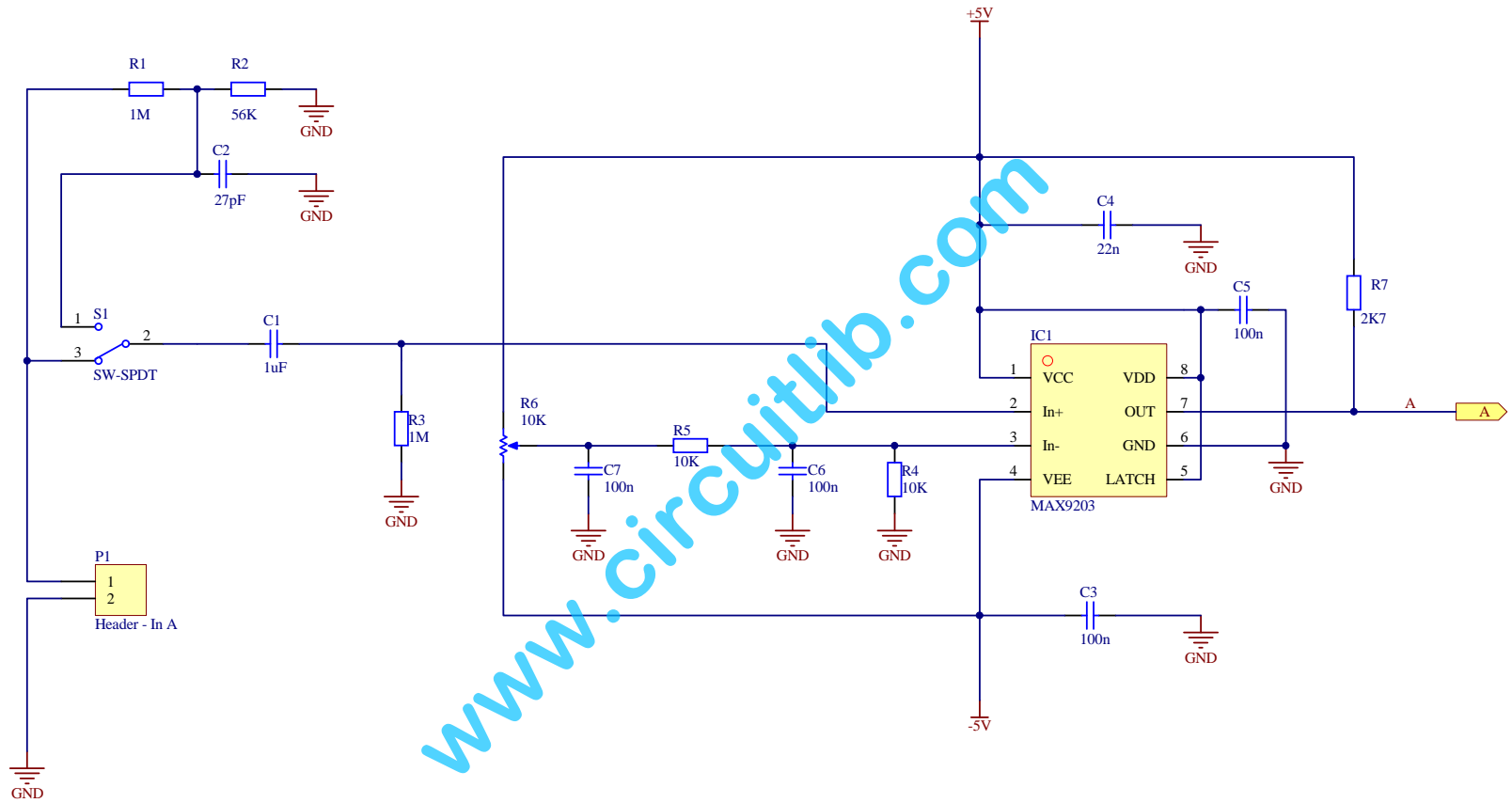
B

C

C

D

D



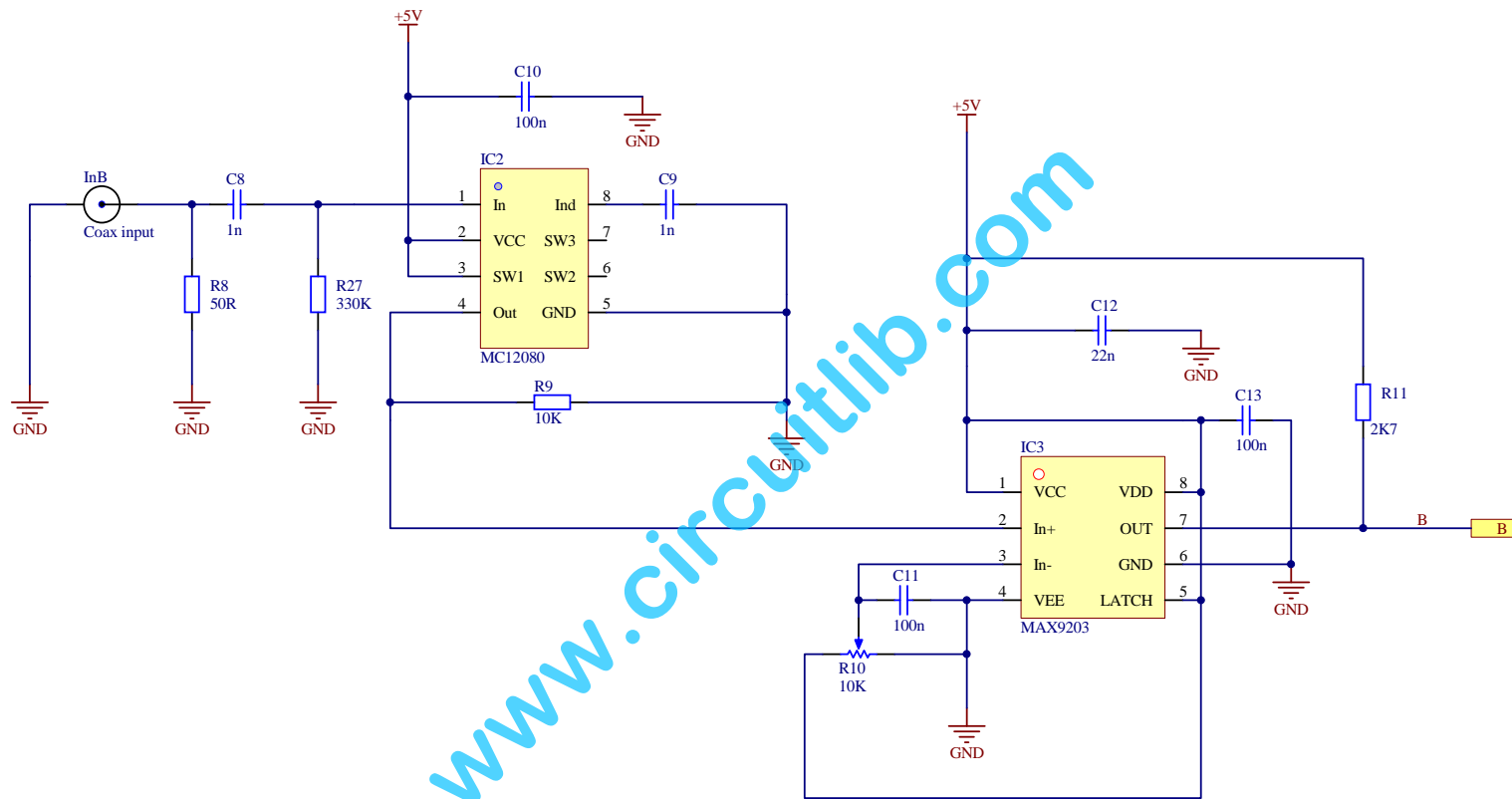
Title			1.5 GHz Frequency Counter		
			FrontA.SchDoc		
Size	Number			Revision	
A4	FC05/09_1			1	
Date:	30/5/2013	Sheet	of	4	
File:	F:\PROJECTS\...\FrontA.SchDoc	Drawn By:	George Adamidis		

1

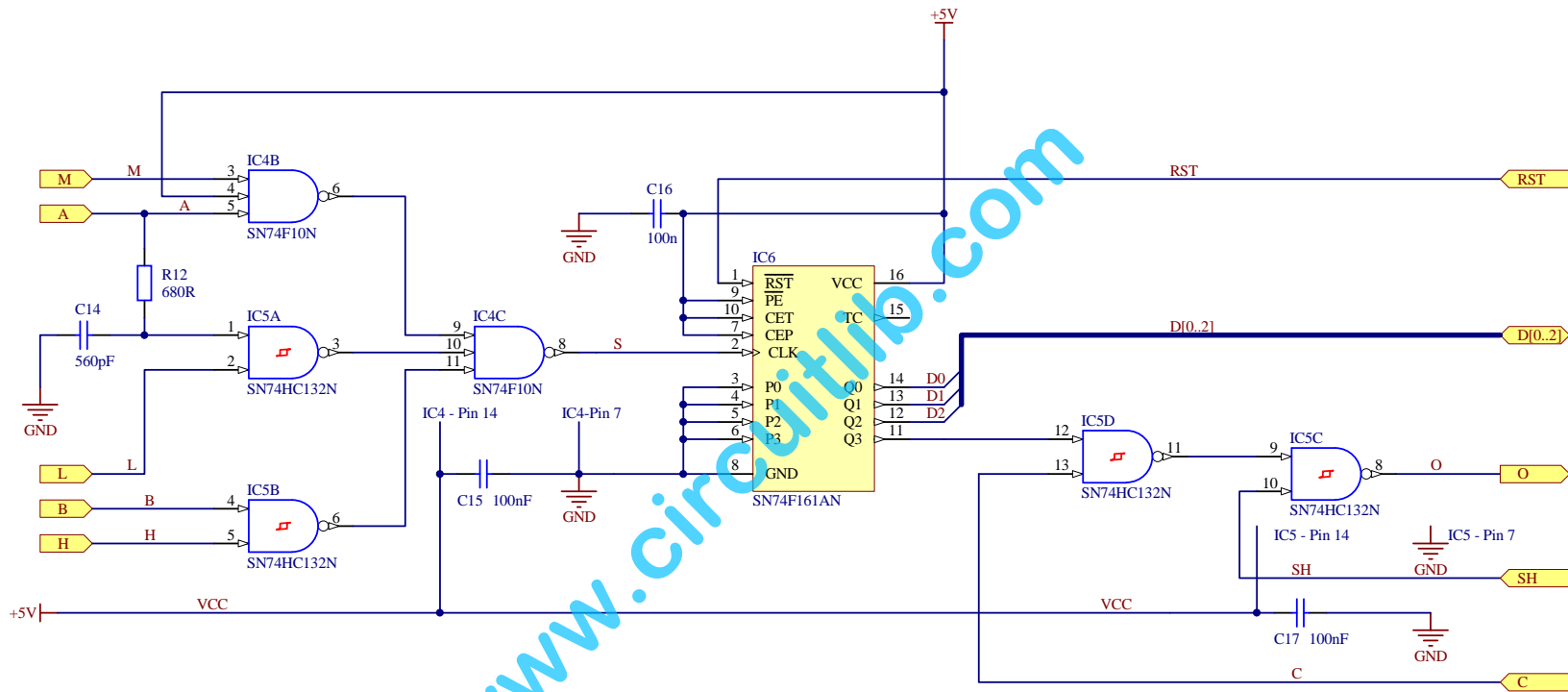
2

3

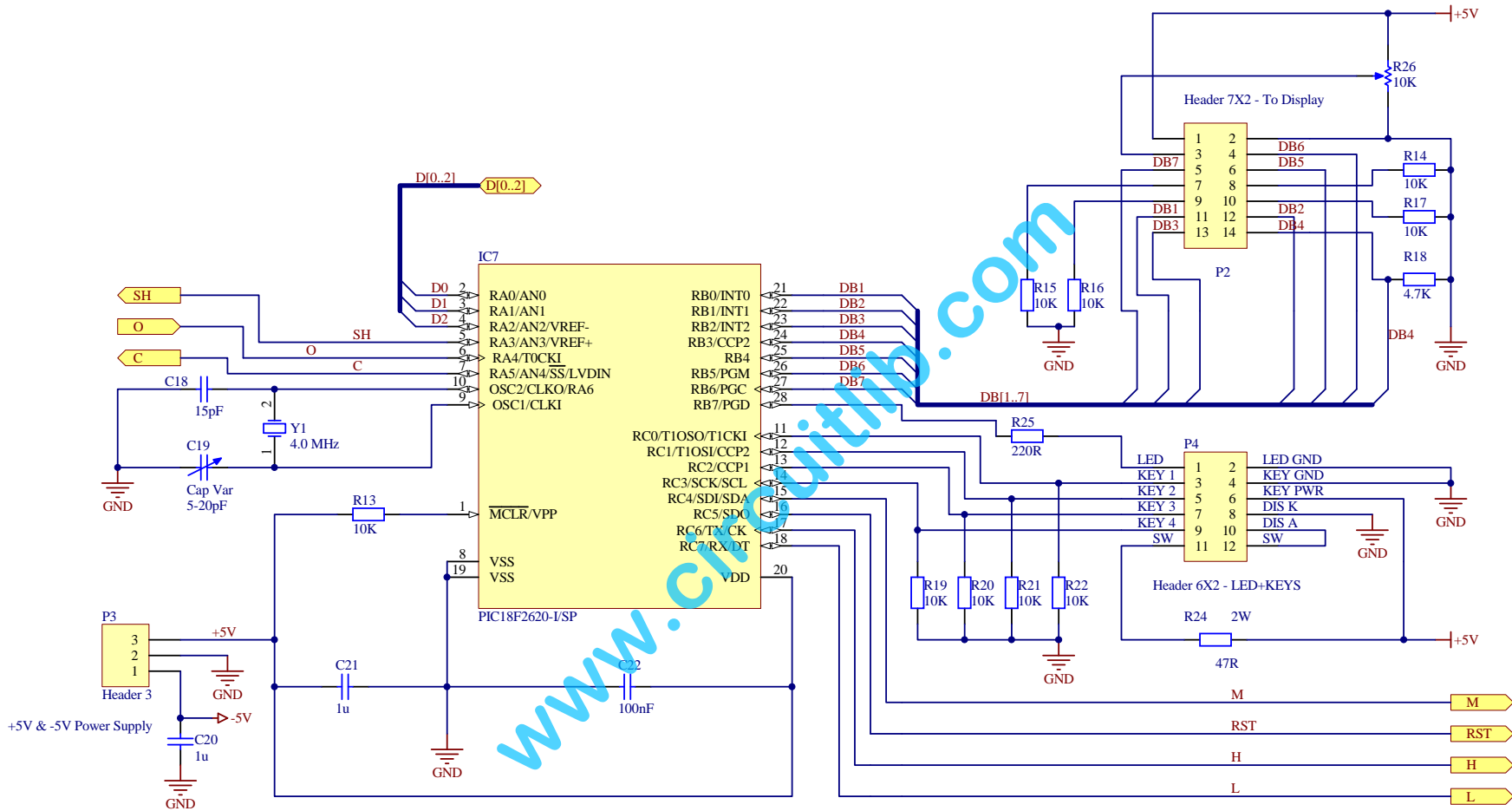
4



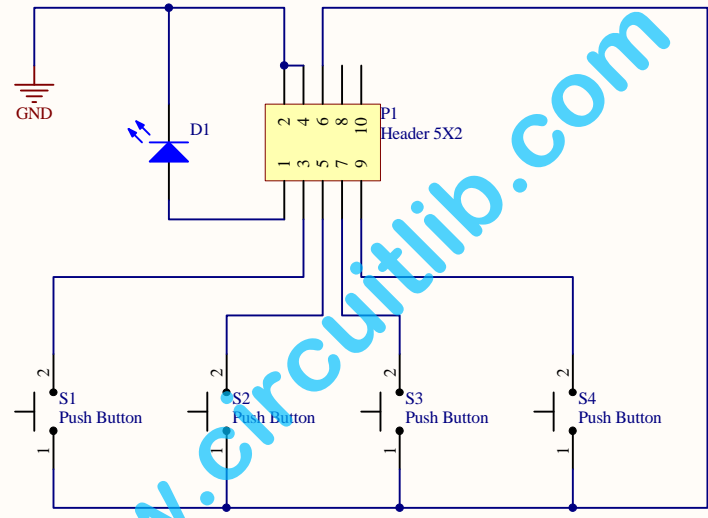
Title			1.5 GHz Frequency Counter FrontB.SchDoc		
Size	Number	Revision			
A4	FC05/09_2	1			
Date:	30/5/2013	Sheet 2 of	4		
File:	F:\PROJECTS\...\FrontB.SchDoc	Drawn By:	George Adamidis		



Title			1.5 GHz Frequency Counter Ext Counter.SchDoc		
Size	Number			Revision	
A4	FC05/09_3			1	
Date:	30/5/2013	Sheet	3of	4	
File:	F:\PROJECTS\...\Ext Counter.SchDoc	Drawn By:	George Adamidis		



Title			1.5 GHz Frequency Counter Main.SchDoc		
Size	Number	Revision			
A4	FC05/09_4	1			
Date:	30/5/2013	Sheet	4 of 4		
File:	F:\PROJECTS\Main.SchDoc	Drawn By:	George Adamidis		



www.Circuitlib.com

Title			4 Buttons Keyboard & Led		
Size	Number	Revision			
A4	K05/09	1			
Date:	30/5/2013	Sheet	of	1	
File:	F:\PROJECTS\...\Keyboard.SchDoc	Drawn By:	George Adamidis		