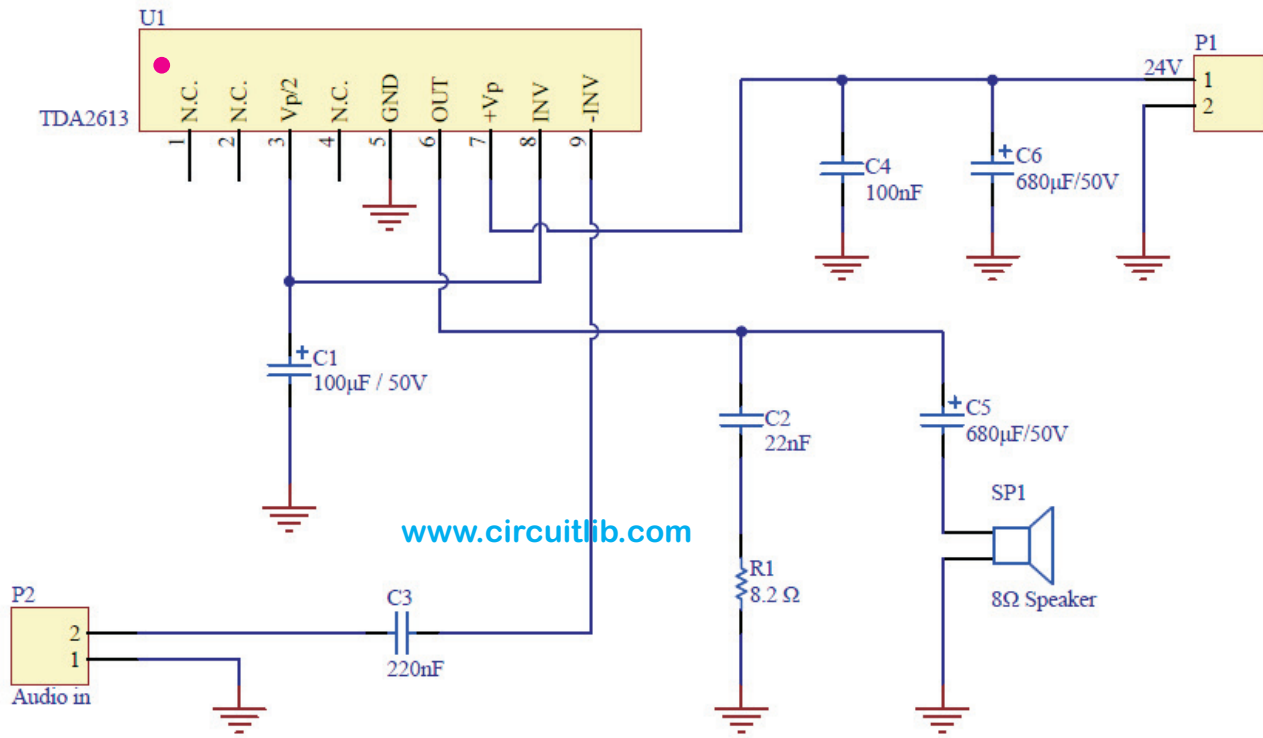
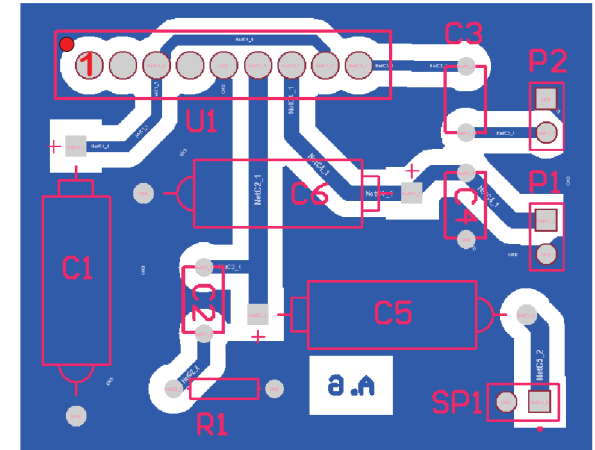


# 6W Audio Amplifier using TDA2613



## Components placement



## PCB - Actual size

