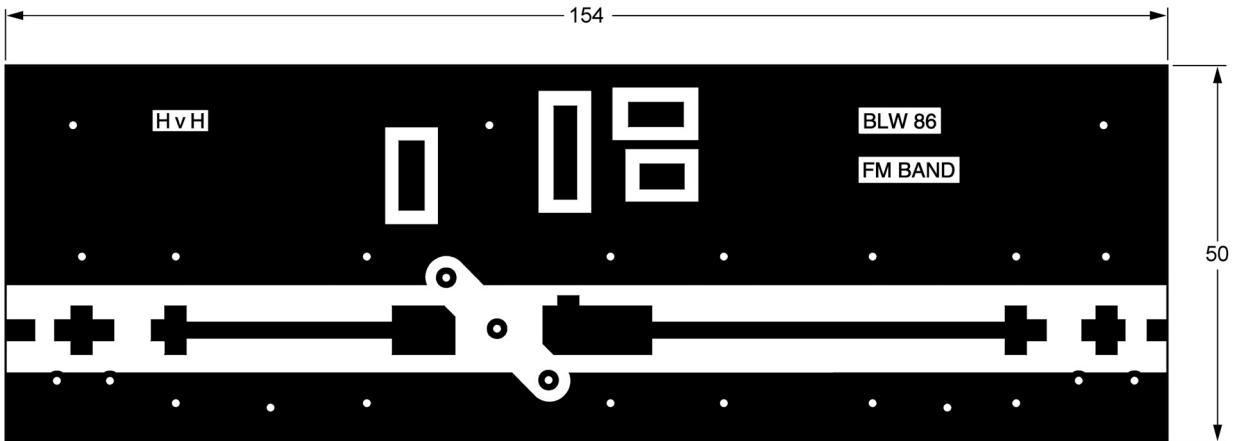
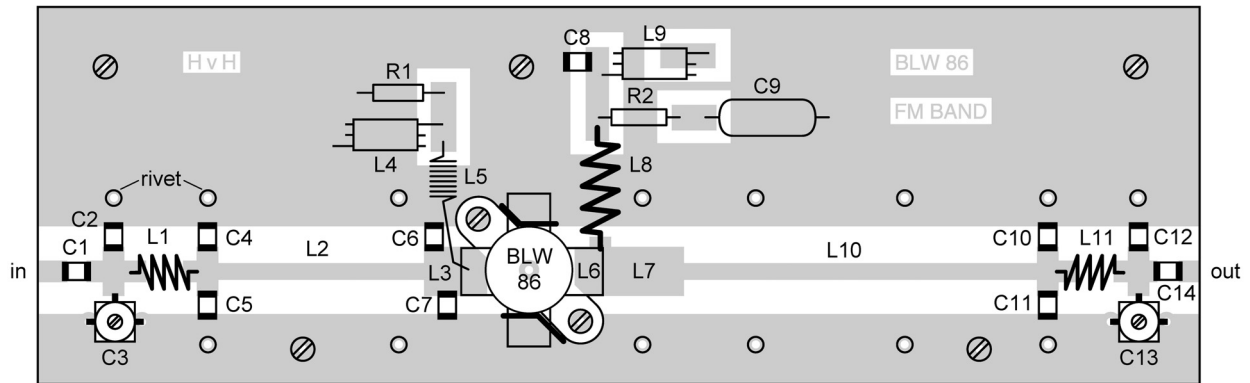


FM - Linear Amplifier - 50W (BLW86)

PCB-Artwork - Components side



Components placement guide



MGH976