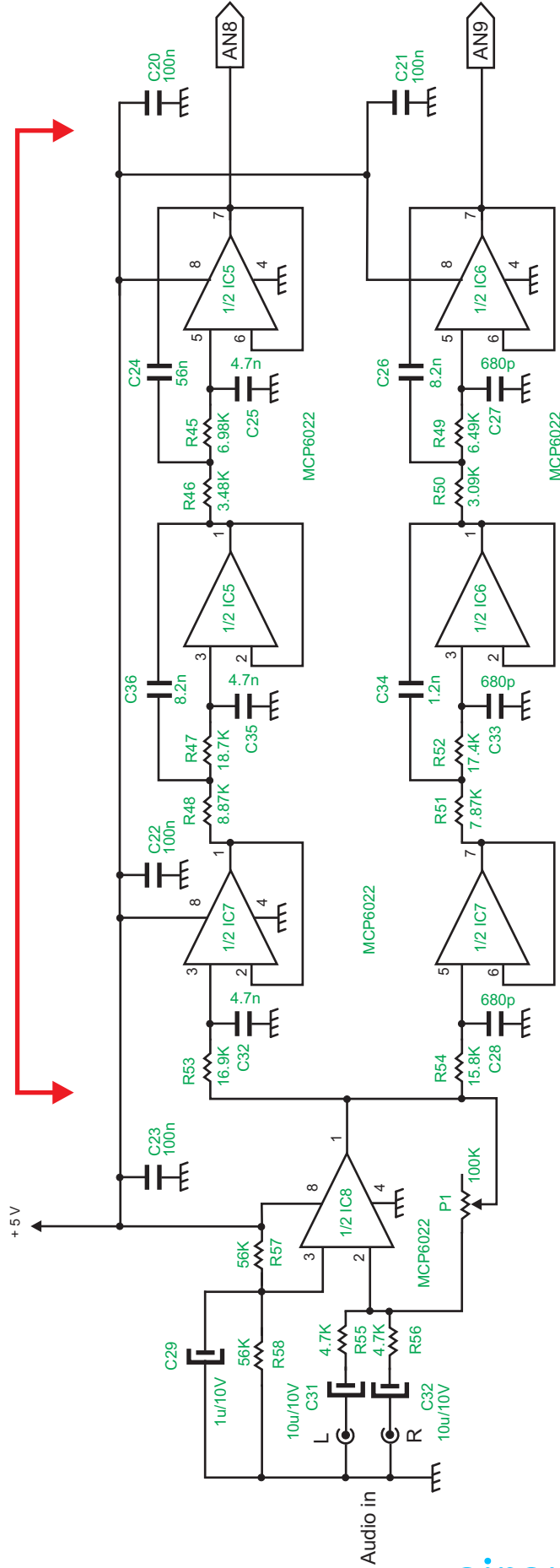


| | |
|--|---|
| Microchip 16-bit Embedded Control Design Contest | |
| Title | Digital, real time Audio Frequency Spectrum Analyzer - Digital Section |
| Document Number | Entry # MT1750 |
| Date: June 11, 2007 | Sheet 1 of 3 |
| REV | 2 |

| | |
|---|--------------|
| Microchip 16-bit Embedded Control Design Contest | |
| Title Digital, real time Audio Frequency Spectrum Analyzer - Analog Section | |
| Document Number Entry # MT1750 | REV 2 |
| Date: June 11, 2007 | Sheet 2 of 3 |

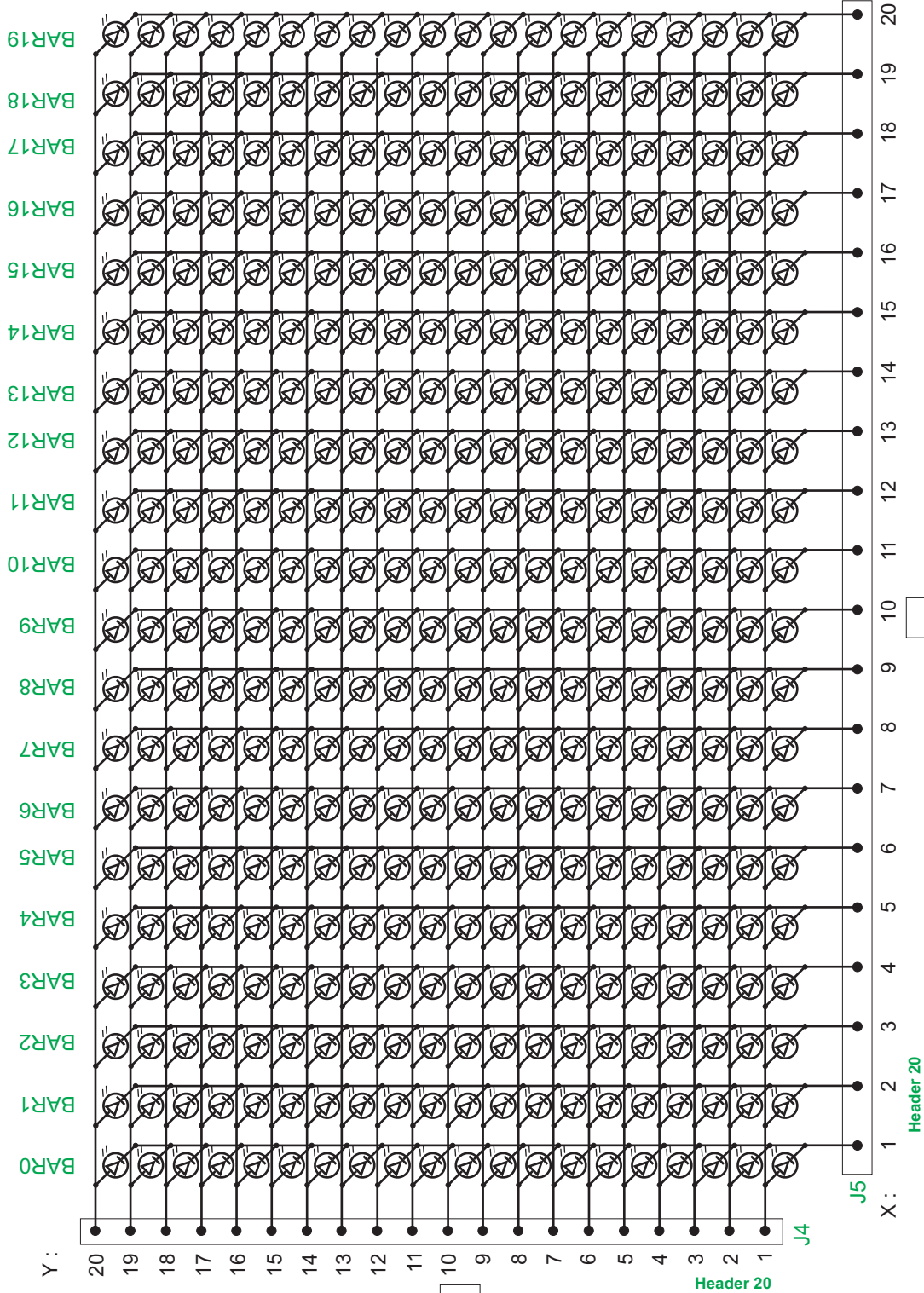
Anti-aliasing filter 1 / 5th order 2 KHz cut-off



Gain adjust

Anti-aliasing filter 2 / 5th order 16 KHz cut-off

400 LED - 20 BAR - GRAPHS (20 LEDs EACH)



To main - board (J1)

| | | |
|---|----------|--------|
| Microchip 16-bit Embedded Control Design Contest | | |
| Title Digital, real time Audio Frequency Spectrum Analyzer - Display | | |
| Document Number Entry # MT1750 | REV 2 | |
| Date: June 11, 2007 | Sheet | 3 of 3 |

To main - board (J2)