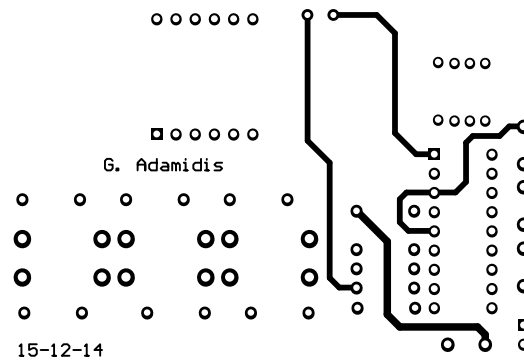


Printed Circuit Board for the Simple Digital Clock

Top side (components side) - in 1:1 scale



Printed Circuit Board for the Simple Digital Clock

Bottom side (mirrored) - in 1:1 scale

